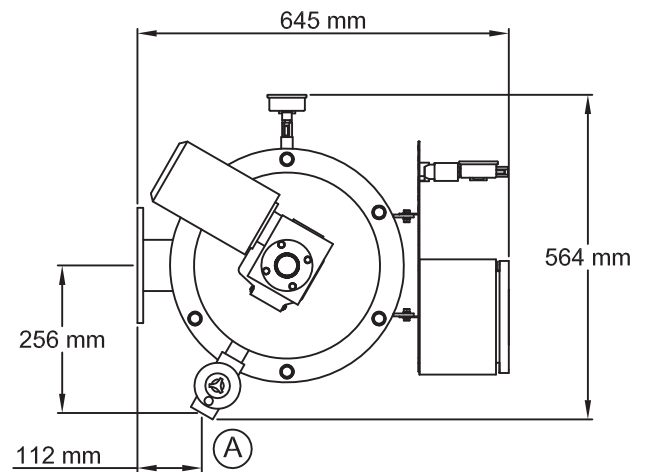


- (A) Colector drenaje 1"
1" Drainage manifold
- (B) Colector entrada 3"
3" Inlet manifold
- (C) Colector salida 3"
3" Outlet manifold



AZUD LUXON LDB 2400/3

SCALE	MATERIAL:	RESPONS.: M. Martínez
S/E	UNITS: mm.	REVISION: 00
A4 FORMAT	FILE: Azud_luxon_LDB_2400-3.dwg	12/04/2012

